

1" - 8 THREAD x 1-3/4 DEEP
C'BORE DIA 1.032 x .400 DEEP

PRECISION GROUND
FOR DUAL CONTACT FIT

Ø2.75

Ø3.875

Ø2.19

Ø1.00

LOCK SCREW
1/2-20 x 1.0 SHCS

1.02

Ø1.17

4.03

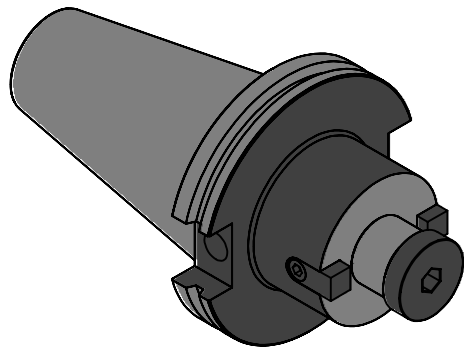
0

.06

.75

2.00

2.62



NOTES:

WORKS ON ALL CAT50 MACHINES WITH DUAL CONTACT SPINDLES
COMPATIBLE WITH BIG-PLUS® SPINDLES
HOLDER USES LOCK SCREW 1/2-20 x 1.0 SHCS (INCLUDED)
FOR MORE PRODUCT DETAILS PLEASE GO TO MARITool.COM
AND SEARCH ITEM # LISTED ON THIS PRINT

MARITool

WWW.MARITool.COM

ITEM# **CAT50 FMA1.0-2.0DT**

Made in USA